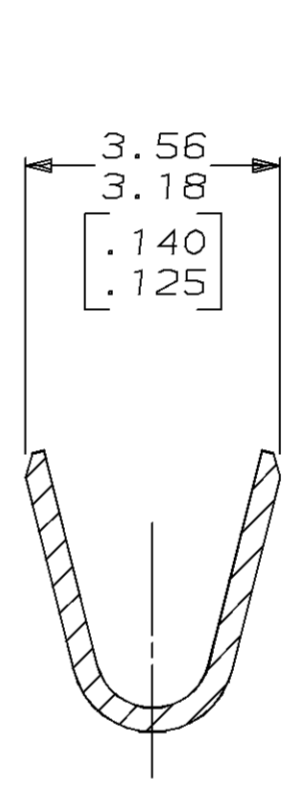
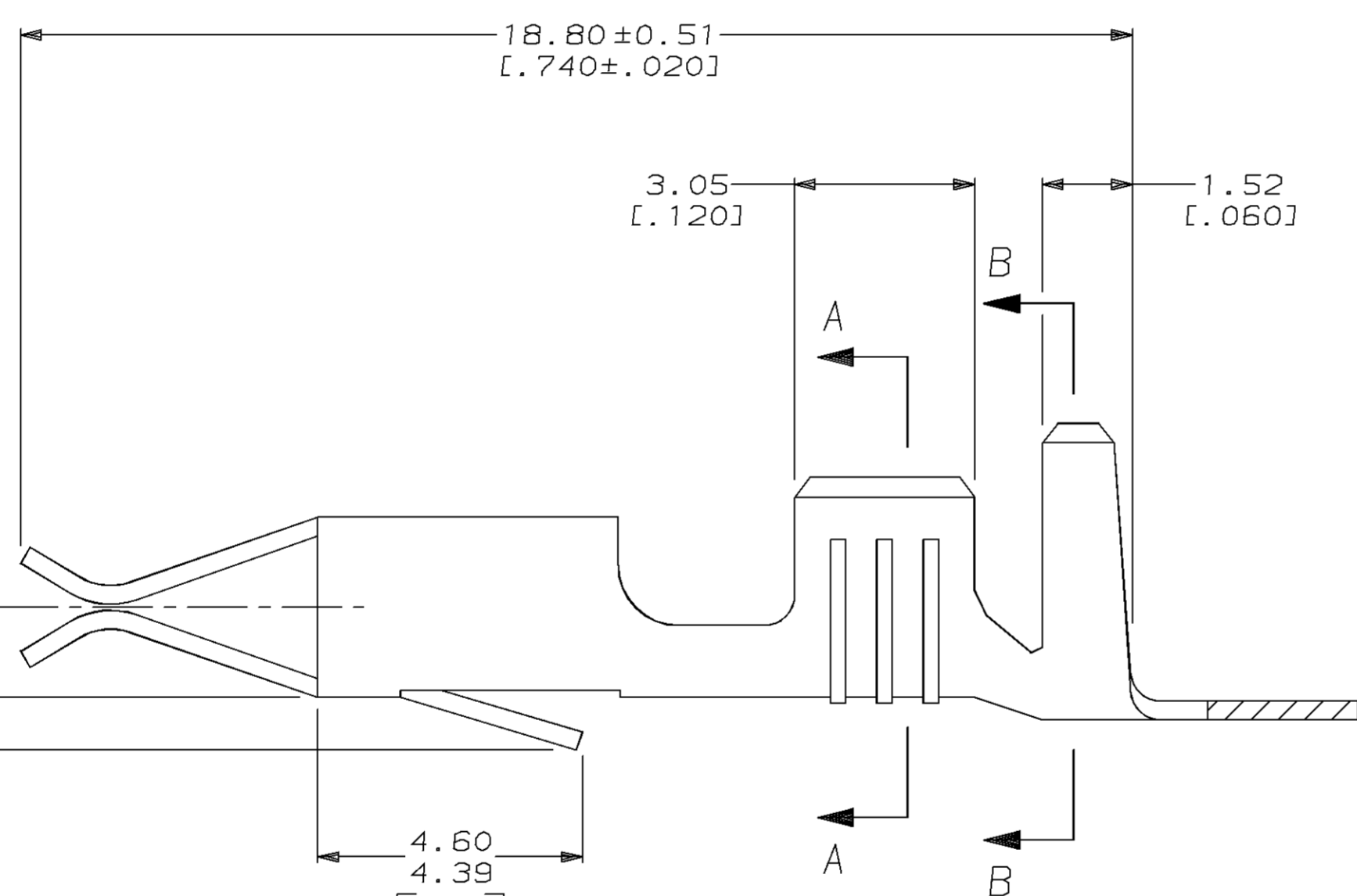
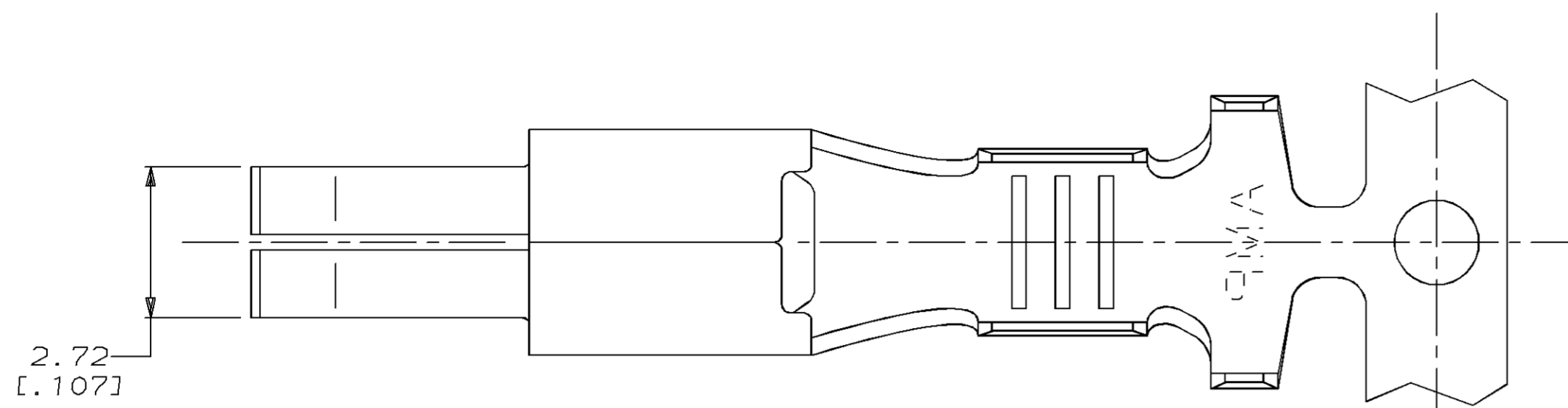
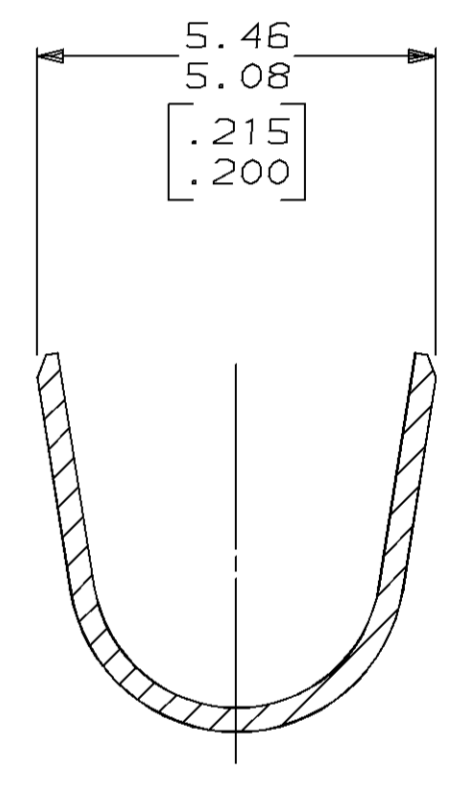


LOC	DIST	P	F	ZONE	LTR	DESCRIPTION	DATE	APPD
AF	50					G REV PER 0710-0427-95	27/SEP/95	PF DS

1. THIS IS THE DOMESTIC VERSION OF THE GERMAN PART NO. 925595.
2. WIRE RANGE: 0.8 - 2 mm<sup>2</sup> [18 - 14 AWG].
3. INSULATION RANGE: 3.05 - 4.32 [.120 - .170] DIA.
4. DIMENSIONS IN BRACKETS ARE IN INCHES.



SECTION A-A



SECTION B-B

FINISH	MATERIAL	PART NO
PRE-TIN	0.30 [.012] PH BRZ	643221-2
PRE-TIN	0.30 [.012] BRASS	643221-1

DO NOT SCALE PRINT. UNLESS SPECIFIED DIMENSIONS IN mm [INCHES] TOLERANCES ON : 2 PLC DEC ±0.13 [.005] 3 PLC DEC ± - ANGLES ± -	DR 4-12-93 T. BECK	AMP Incorporated Harrisburg, PA 17105-3608	
	CHK 4-12-93 R. SWING		
MATERIAL SEE TABLE	APPD 10-6-93 G. MARTIN	NAME RECEPTACLE, MINI-SPRING	
FINISH SEE TABLE	APPD 10-6-93 G. MARTIN	SIZE C 00779	DRAWING NO G-643221
	PRODUCT SPEC -	SCALE 10:1	SHEET 1 OF 1
	APPLICATION SPEC -		
	WEIGHT -		

**METRIC**

THIS DRAWING IS A CONTROLLED DOCUMENT FOR AMP INCORPORATED. IT IS SUBJECT TO CHANGE AND THE CONTROLLING ENGINEERING ORGANIZATION SHOULD BE CONTACTED FOR THE LATEST REVISION.